



cincinnati time systems

## Model 2000 Modem Module Replacement Instructions (9600 Baud Modem)

1. Using the key, unlock the Terminal.
2. Find the On / Off switch on the Modem Module and move it to the “Off” position (Figure 1).
3. If an optional UPS Battery Module was installed, press the Battery Disconnect button to power down the Terminal (Figure 1).
4. Unplug the Terminal’s Comm / Power cable from the Snap Port connector on the Modem Module or optional UPS Battery Module (Figure 1). If an UPS Battery Module is installed, also unplug the Comm / Power cable from the Snap Port connector on the Modem Module (Figure 1).
5. Unplug the phone cable from the Modem Host connector on the Modem Module (Figure 1).
6. Unplug the DC Plug from the Power Pack from the Power connector on the Modem Module (Figure 1).
7. If applicable, unplug the communications cable from the RS-485 Net connector on the Modem Module (Figure 1).
8. Remove the Modem Module from the Wall Mount Base and install the replacement Modem Module.
9. Plug the DC Plug from the Power Pack into the Power connector on the Modem Module (Figure 1).
10. Plug the phone cable into the Modem Host connector on the Modem Module (Figure 1).
11. If applicable, plug the communications cable into the RS-485 Net connector on the Modem Module (Figure 1).
12. Plug the Terminal’s Comm / Power cable into the Snap Port connector on the Modem Module or into the Snap Port connector on the UPS Battery Module (Figure 1). If an UPS Battery Module is installed, also plug the Comm / Power cable from the UPS Battery Module to the Snap Port connector on the Modem Module (Figure 1).
13. Find the Online / Offline switch on the Modem Module and make sure it is in the “Online” position (Figure 1).
14. Find the On / Off switch on the Modem Module and move it to the “On” position (Figure 1).
15. Close and lock the Terminal back into place.
16. Test communications with the PC.
17. Return defective Modem Module back to ADI.

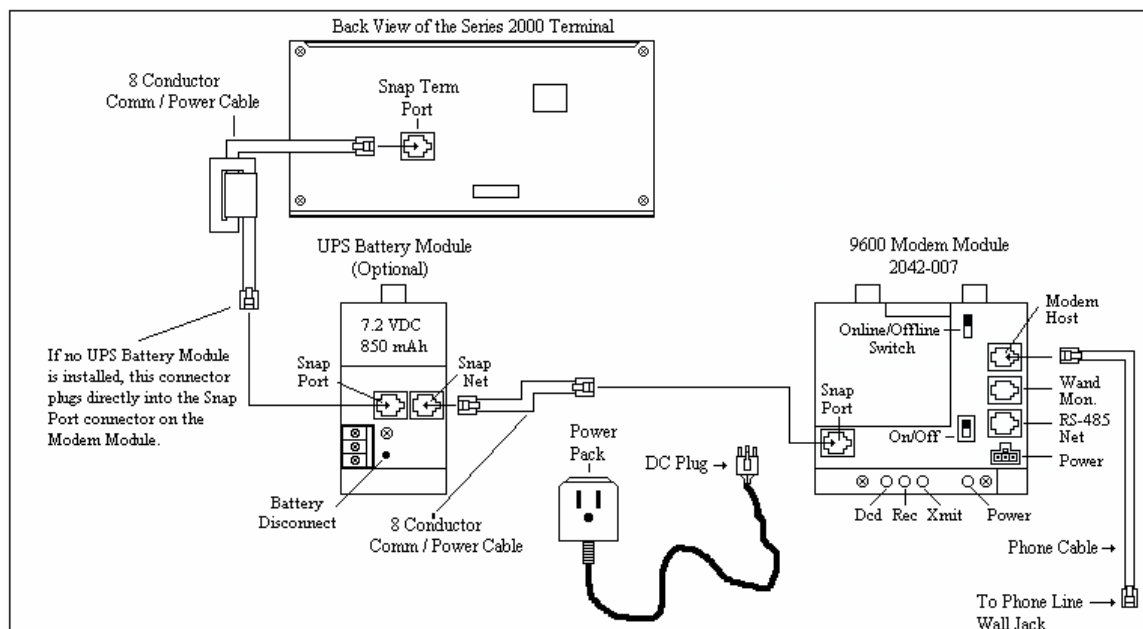


Figure 1