



cincinnati time systems

Model 2000 RS-232/485 Module Replacement Instructions

1. Using the key, unlock the Terminal.
2. Find the On / Off switch on the RS-232/485 Module and move it to the “Off” position (Figure 1).
3. If an optional UPS Battery Module was installed, press the Battery Disconnect button to power down the Terminal (Figure 1).
4. Unplug the Terminal’s Comm / Power cable from the Snap Port connector on the RS-232/485 Module or optional UPS Battery Module (Figure 1). If an UPS Battery Module is installed, also unplug the Comm / Power cable from the Snap Port connector on the RS-232/485 Module (Figure 1).
5. Unplug the 6 conductor communication cable from the RS-232 Host connector on the RS-232/485 Module (Figure 1).
6. Unplug the DC Plug from the Power Pack from the Power connector on the RS-232/485 Module (Figure 1).
7. Unplug any cables from both the Wand Port and / or RS-485 Net connectors on the RS-232/485 Module (Figure 1).
8. Remove the RS-232/485 Module from the Wall Mount Base and install the replacement RS-232/485 Module.
9. Plug the DC Plug from the Power Pack into the Power connector on the RS-232/485 Module (Figure 1).
10. Plug the 6 conductor communication cable into the RS-232 Host connector on the RS-232/485 Module (Figure 1).
11. Plug any cables for the Wand Port and / or RS-485 Net connectors back into the RS-232/485 Module (Figure 1).
12. Plug the Terminal’s Comm / Power cable into the Snap Port connector on the RS-232/485 Module or into the Snap Port connector on the UPS Battery Module (Figure 1). If an UPS Battery Module is installed, also plug the Comm / Power cable from the UPS Battery Module to the Snap Port connector on the RS-232/485 Module (Figure 1).
13. Find the Online / Offline switch on the RS-232/485 Module and make sure it is in the “Online” position (Figure 1).
14. Find the On / Off switch on the RS-232/485 Module and move it to the “On” position (Figure 1).
15. Close and lock the Terminal back into place.
16. Test communications with the PC.
17. Return the defective RS-232/485 Module back to ADI.

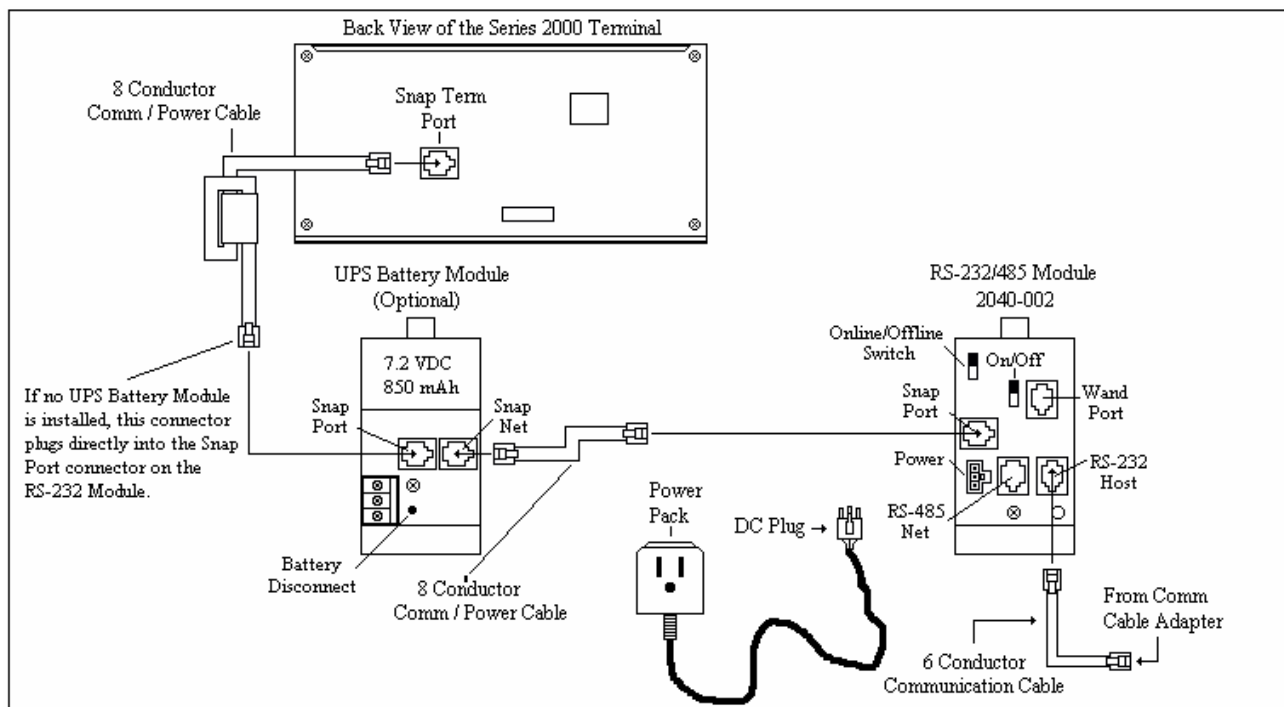


Figure 1