



cincinnati time systems

## CMI Model 2052-005 Control Module with Relay Installation Instructions

### STEP 1

If the configuration of the Terminal includes a 2052-005 Control Module and the Relay is to be used, follow the Relay Connection Chart on Figure 1 on how to connect the wires to either ring bells or for door access. If the bells or door access strike needs more amperage than the Relay can handle, then call ADI Support Dept. for additional options.

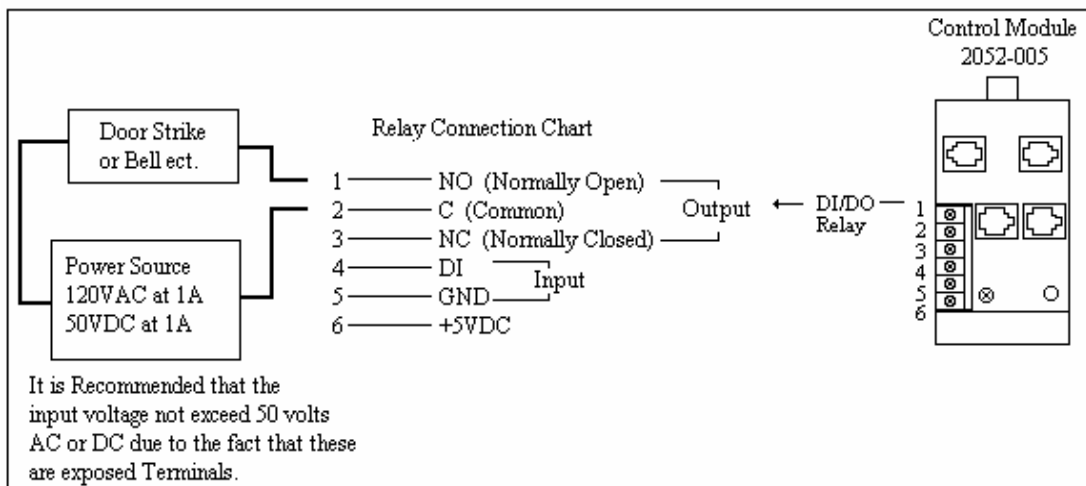


Figure 1